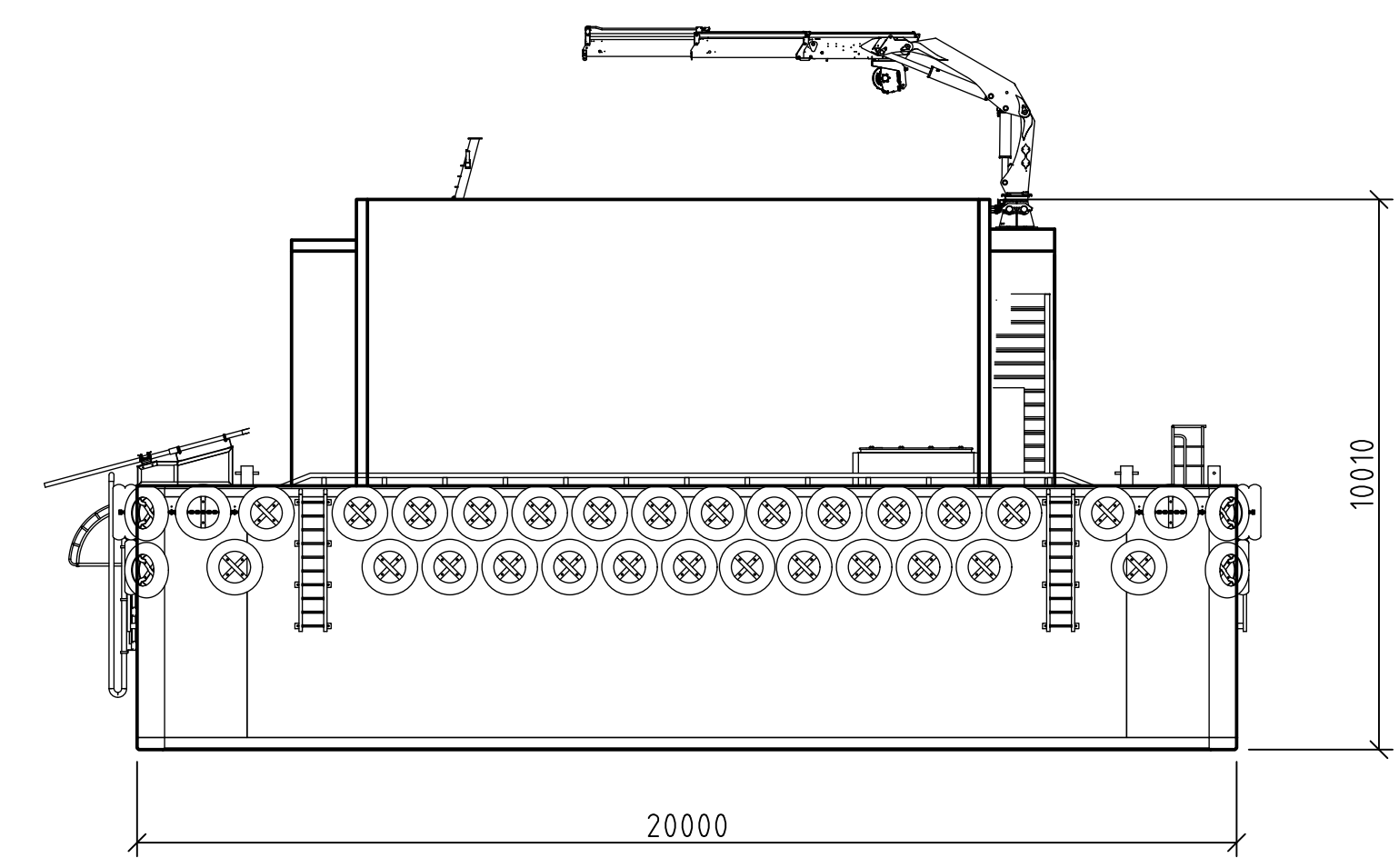
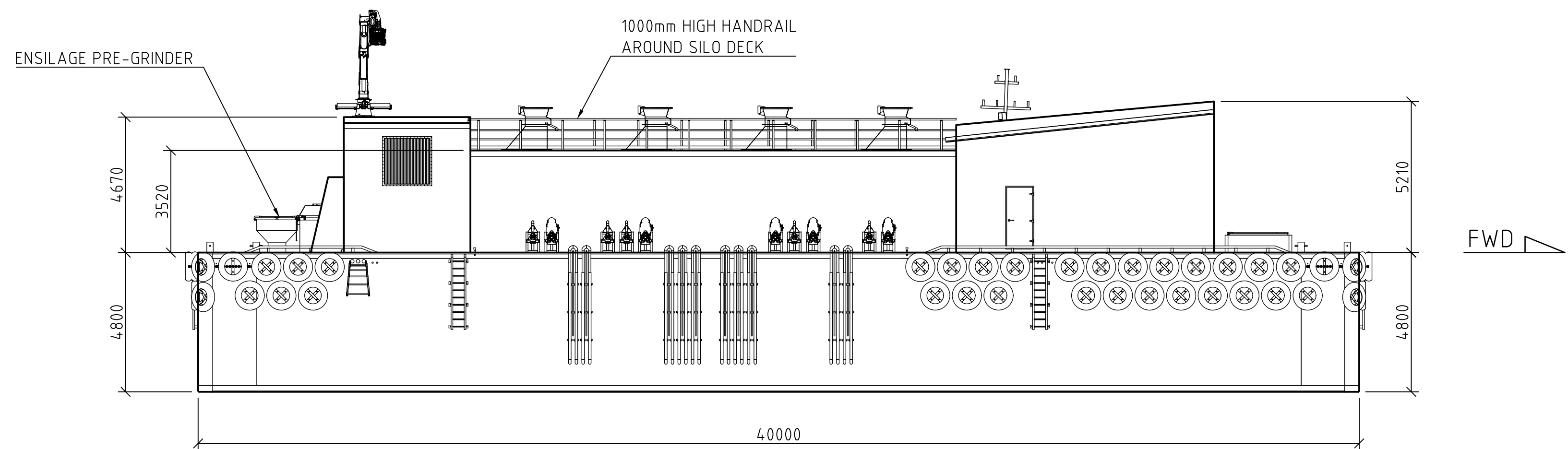


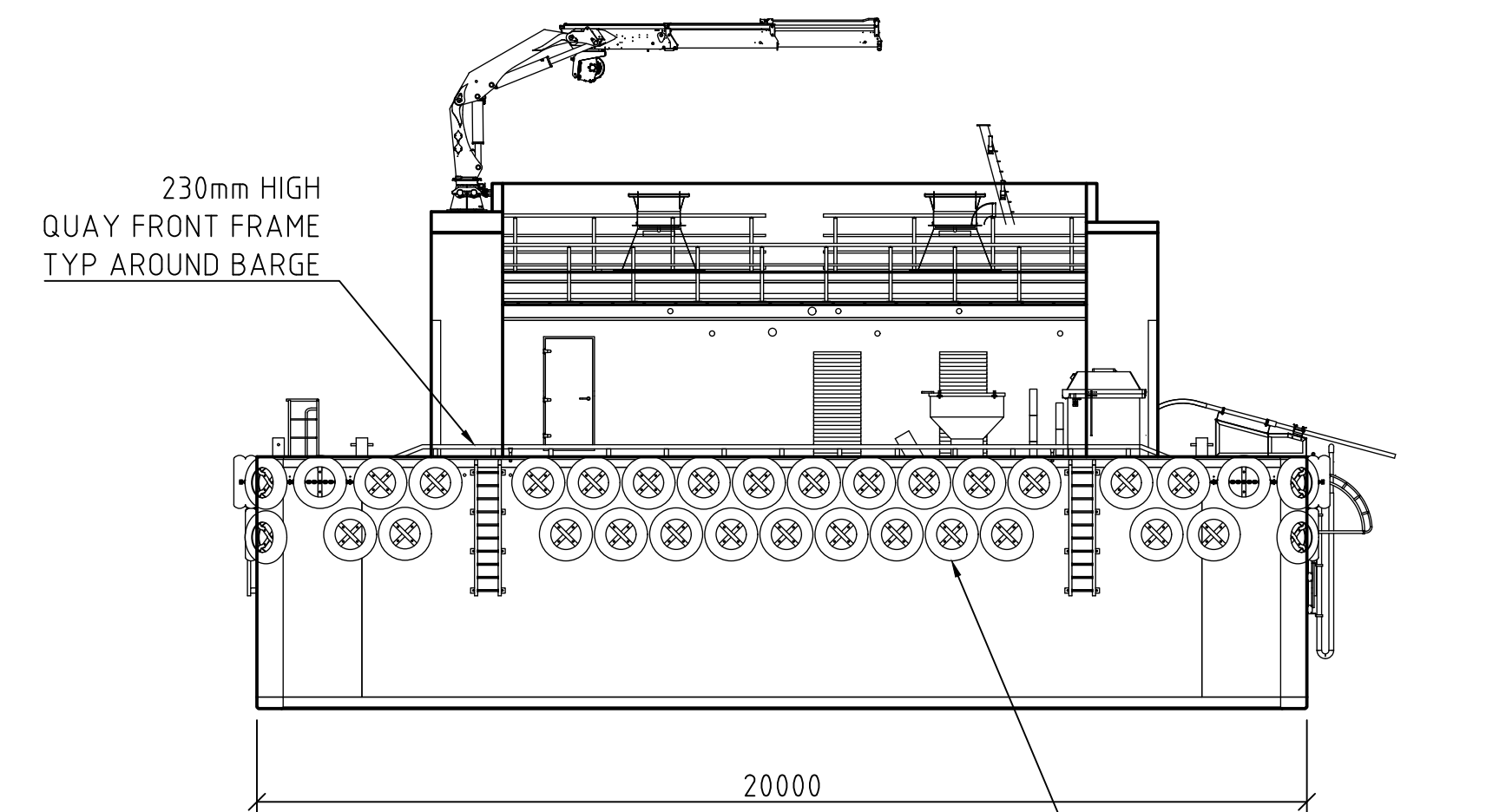
PORT SIDE



FWD SIDE

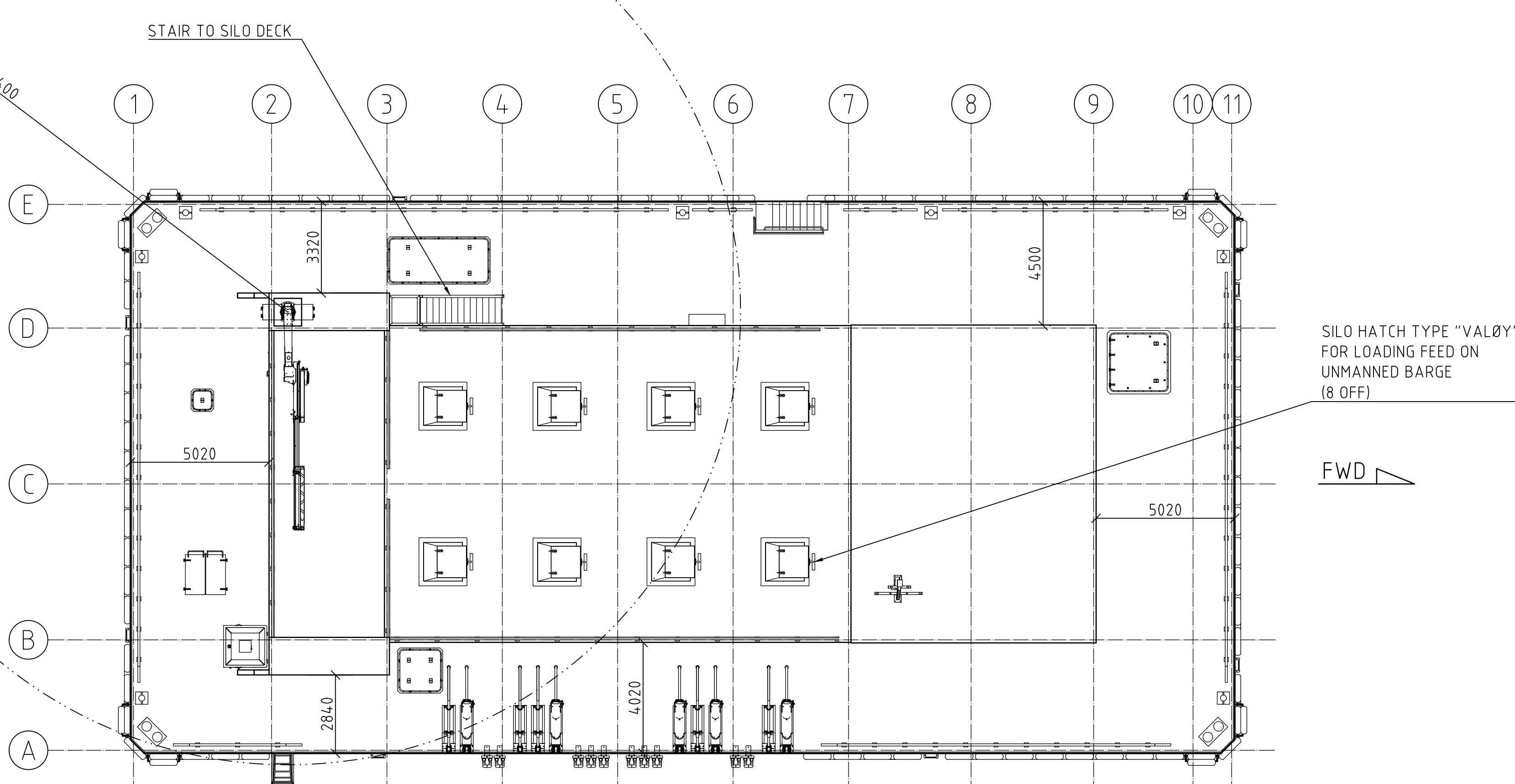


STARBOARD SIDE



AFT SIDE

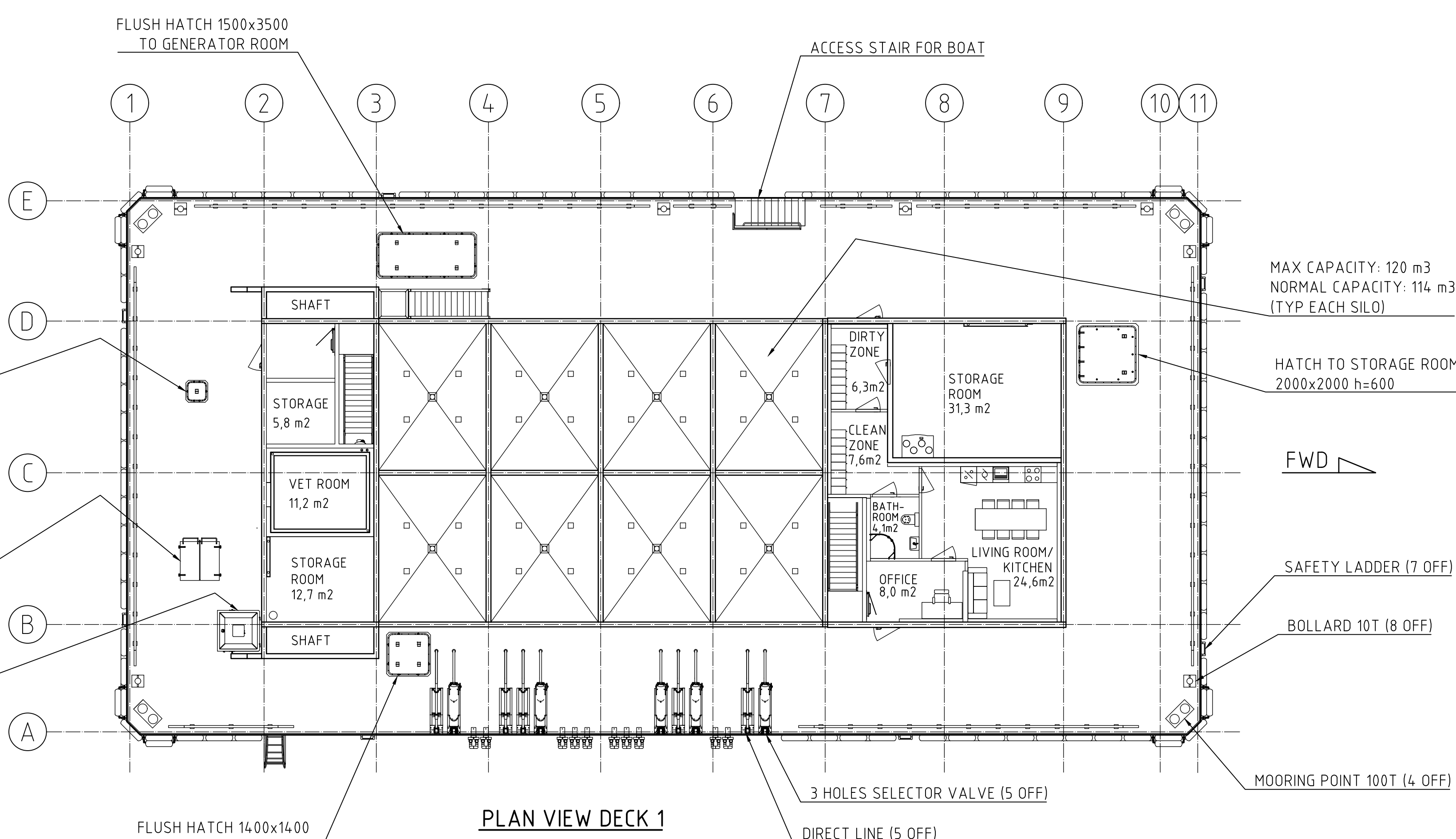
CRANE OPERATION AREA
REF CRANE CAPACITY TABLE



TOP VIEW

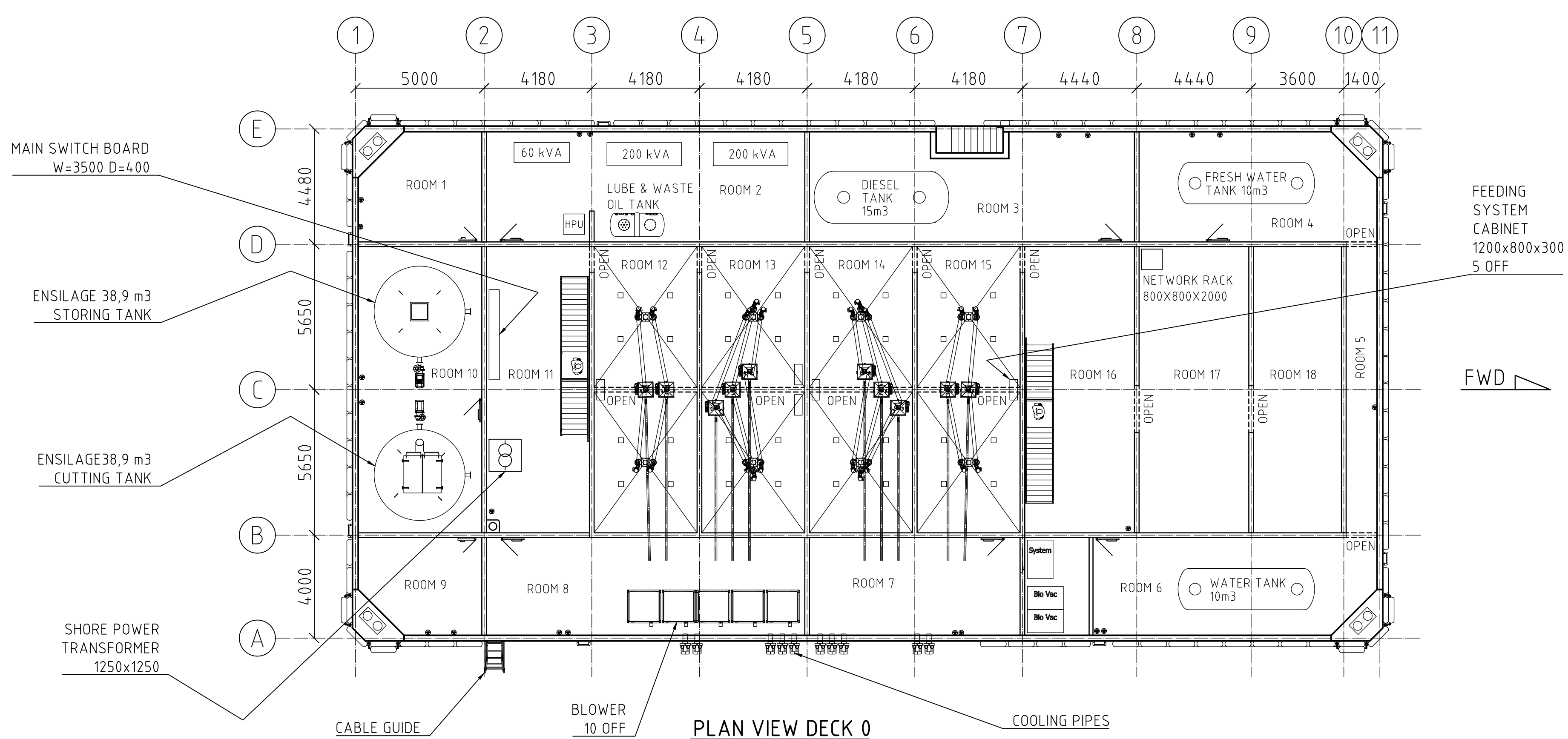
CRANE CAPACITY TABLE		
OUTREACH	RANGE (mm)	* MAX LOAD (kg)
2	7900	2750
3	10000	2050
4	12100	1580
5	14200	1180
6	16400	900

* LIFTING CAPACITY SHOWN IN HOOK MODE.
USED IN WINCH MODE, THE LIFTING CAPACITY MUST BE
REDUCED BY THE WEIGHT OF THE SPECIFIC WINCH.



PLAN VIEW DECK 1

MAIN DIMENSIONS		
LENGTH:	40	METERS
BREADTH:	20	METERS
DEPTH:	4,8	METERS
SILO CAPACITY		
SILO QUANTITY:	8	
SILO CAPACITY:	76	TON/SILO
TANK CAPACITY		
FRESH WATER TANK:	1x10	m ³
TECHNICAL WATER TANK:	1x10	m ³
FUEL TANK:	1x15	m ³
ENSILAGE TANK:	2x36,9	m ³
EQUIPMENT		
FEED SYSTEM w/ 10 LINES & 20 AUGERS:	1x60	kVA
GENERATOR:	2x200	kVA



PLAN VIEW DECK 0

ISSUED FOR INFORMATION					
Revision	Designer	PIA	Sheet	Rev	Projection
0	JV	PIA	0	0	Scale: 1:125
<small>This document is the property of Scale Architecture AS. This document and any authorized reproduction thereof, must not be used in any way against the interest of Scale Architecture AS. Any authorized reproduction, in whole or in part, must include this legend.</small>					
Designer: JV	Approved by: PIA	Sheet: 0	Rev: 0	Projection: Scale: 1:125	 Scale Architecture AS Frankriggørd 5600 Farnesgården Norway
Created date: 26/02/21	Approved date: 26/02/21	Weight (kg):	Size: A0	Scale: 1:125	
<small>* Not specified tolerances: AS-ISO 2768-M - Remove all burrs and sharp edges - General Ra: 3.2</small>					
Description: FEED BARGE, NOVA CONCRETE 600T BASIC					Drawing number: NC0008-101-001